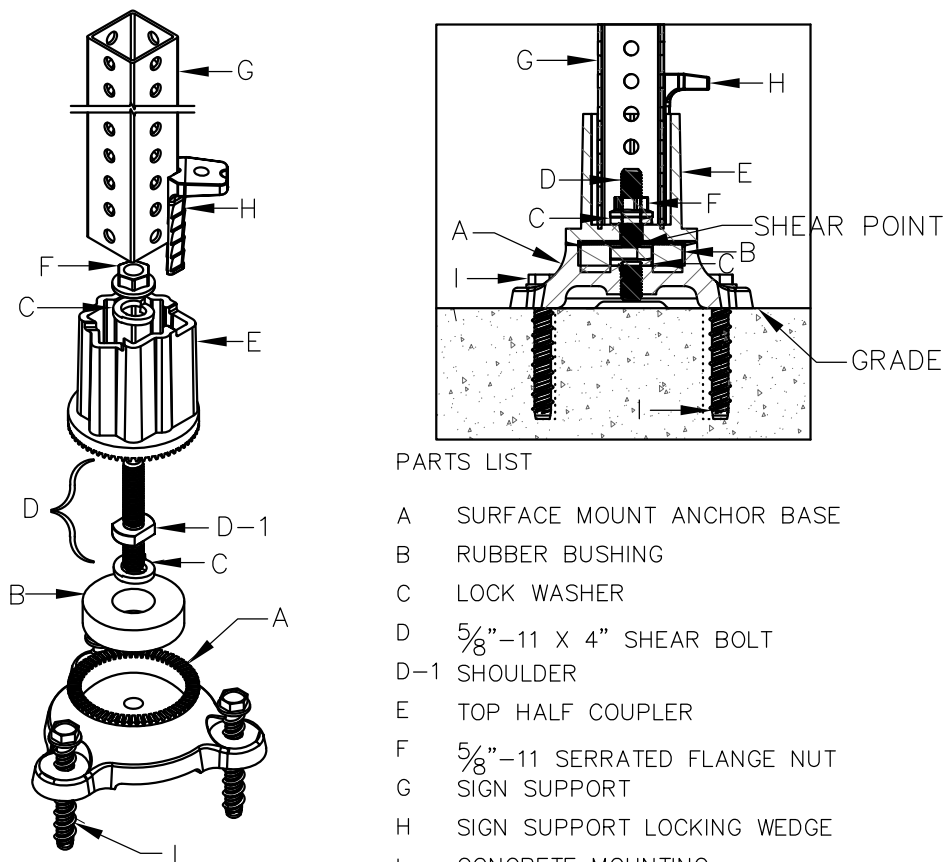


TYPICAL SIGN MOUNTING HEIGHT

KLEEN BREAK MODEL 425
CROSS SECTION VIEW



PARTS LIST

- A SURFACE MOUNT ANCHOR BASE
- B RUBBER BUSHING
- C LOCK WASHER
- D $\frac{5}{8}$ "-11 X 4" SHEAR BOLT
- D-1 SHOULDER
- E TOP HALF COUPLER
- F $\frac{5}{8}$ "-11 SERRATED FLANGE NUT
- G SIGN SUPPORT
- H SIGN SUPPORT LOCKING WEDGE
- I CONCRETE MOUNTING FASTENER - RED HEAD LDT $\frac{1}{2}$ " X 4" (CAT. NO. LDT-1240)

NOTES:

1. STREET BLADES TO BE INSTALLED ON TOP OF STOP SIGN IF LOCATED IN THE SAME CORNER OF THE INTERSECTION.
2. MOUNTING (PUNCHING CODE) FOR TYPE "C" SIGN PANELS SHALL BE AS INDICATED IN THE STANDARD SIGNS MANUAL UNLESS OTHERWISE SPECIFIED.
3. SQUARE TUBE SIGN POSTS PER MnDOT SPEC. 3402.
4. USE ALUMINUM $\frac{5}{16}$ " BOLTS, WASHERS, AND NUTS.