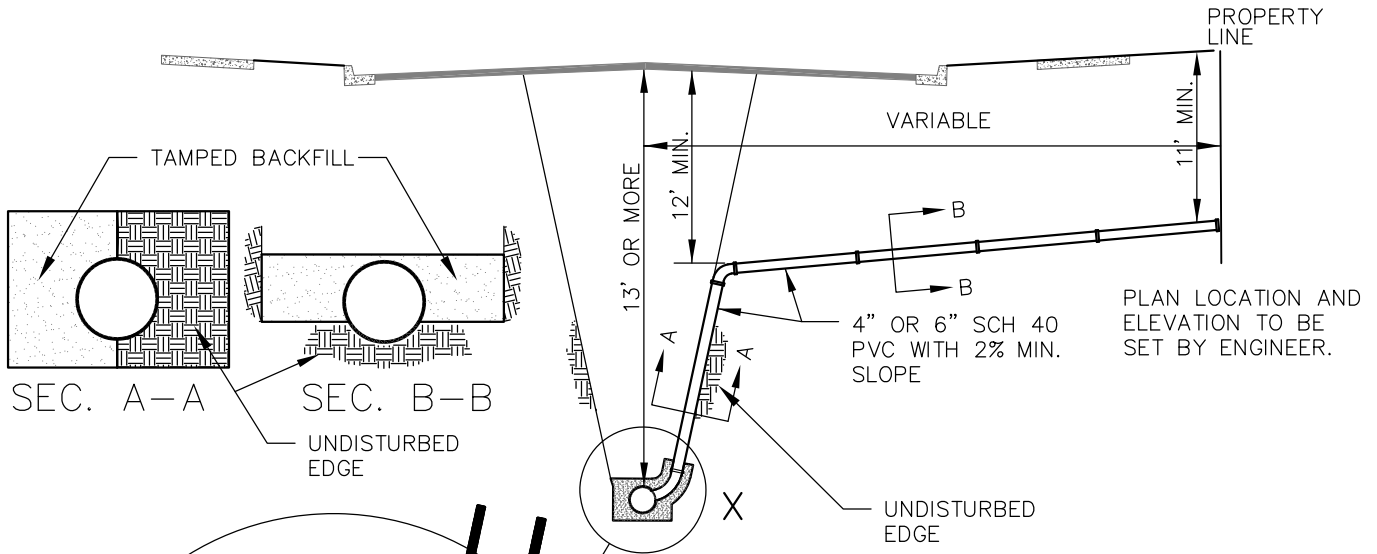


NOTES:

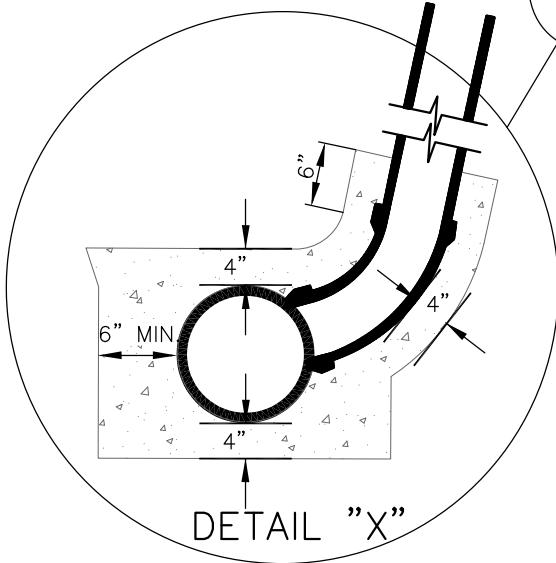
1. SPUR AND LATERAL TO BE 4" OR 6" SCH 40 PVC.
2. TIE CARD REQUIRED FOR ALL SERVICE INSTALLATIONS. SEE PLATE NO. SAN-2.
3. A TYPICAL STREET IS SHOWN AS AN EXAMPLE.

SANITARY SEWER SERVICE TYPE "A"



NOTES:

1. SADDLE TO BE APPROVED BY CITY STAFF PRIOR TO INSTALLATION.
2. "Y" BRANCH TO BE ENCASED FOR FULL LENGTH OF PIPE.
3. SPUR AND LATERAL TO BE 4" OR 6" SCH 40 PVC.
4. CONCRETE SHALL TEST 3000 P.S.I. COMPRESSIVE STRENGTH AT 28 DAYS.
5. NO BENDS GREATER THAN 45°.
6. TIE CARD REQUIRED ON ALL SERVICE INSTALLATIONS (SEE PLATE NO. SAN-2).
7. A TYPICAL STREET IS SHOWN AS AN EXAMPLE.



SANITARY SEWER SERVICE TYPE "B"