

PLATEN LID
R-1733

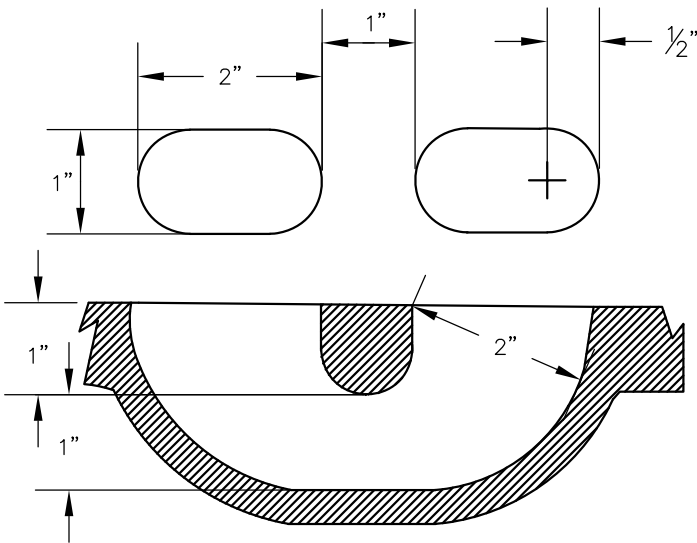
(2) C.I. LIFT HANDLES

SANITARY SEWER

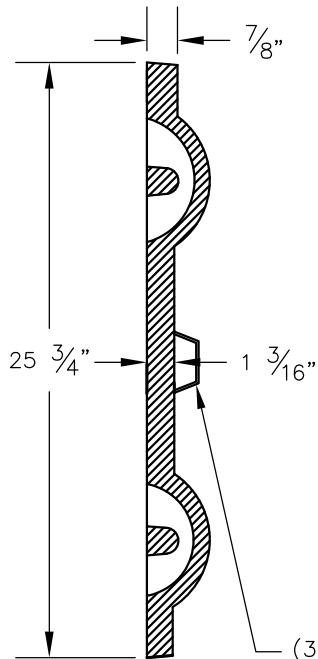
1" HIGH LETTERS RAISED
FLUSH WITH TOP SURFACE



MACH. GROOVE
IN LID SEAT FOR
1/4" DIA.
POLYISOPRENE
GASKET
40 DUROMETER



LIFT HANDLE



(3) STACKING LUGS
@ 120° APART