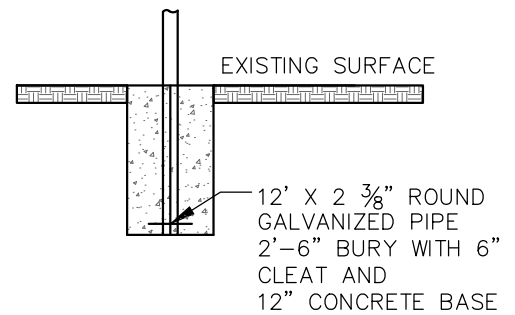


CHANNEL POST MOUNTING FOR
TYPE "C" SIGNS



ROUND POST
INSTALLATION
FOR STREET
SIGNS

NOTES:

1. STREET BLADES TO BE INSTALLED ON TOP OF STOP SIGN IF LOCATED IN THE SAME CORNER OF THE INTERSECTION.
2. MOUNTING (PUNCHING CODE) FOR TYPE "C" SIGN PANELS SHALL BE AS INDICATED IN THE STANDARD SIGNS MANUAL UNLESS OTHERWISE SPECIFIED.
3. ALL RISER (VERTICAL) "U POSTS" SHALL BE 8' LONG.
4. USE ALUMINUM $\frac{5}{16}$ " BOLTS, WASHERS AND NUTS.