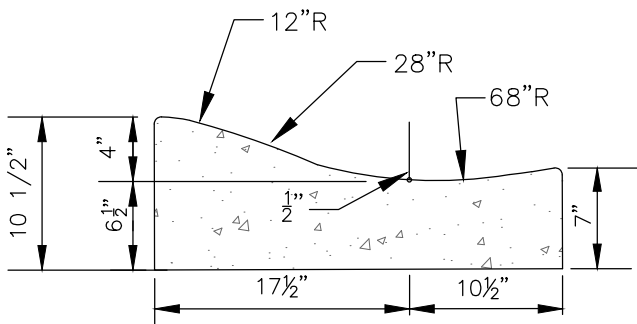


MNDOT B618



SURMOUNTABLE CURB

NOTES:

1. CONSTRUCT BITUMINOUS 1/2" ABOVE FRONT LIP OF CURB.